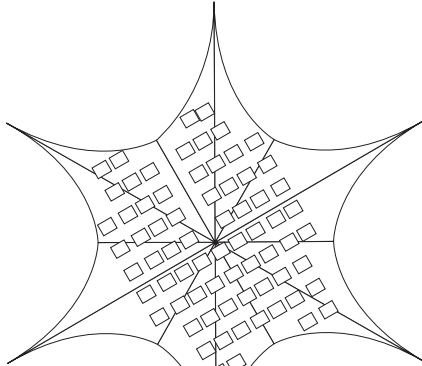


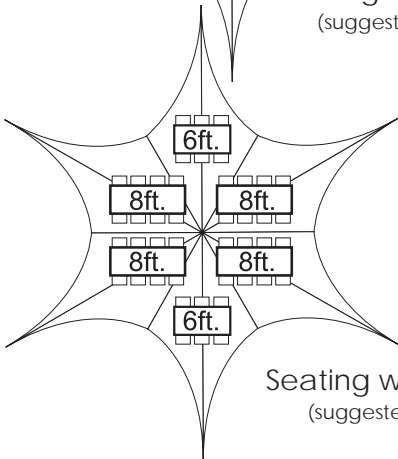


Ergonomic Portable Advertising StarShade 400 - Specifications

Seating Charts

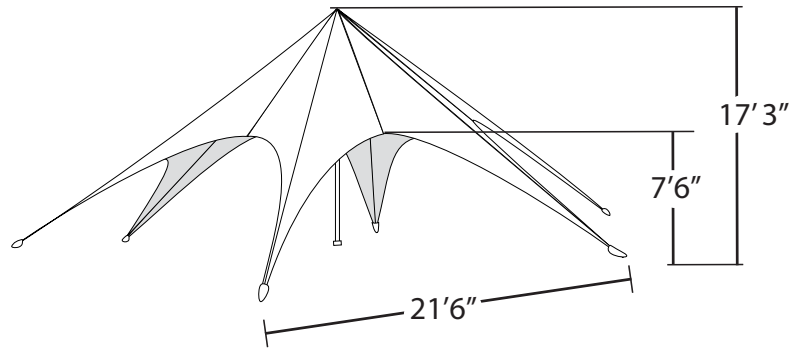


Seating with Chairs Only
(suggested capacity - 70)

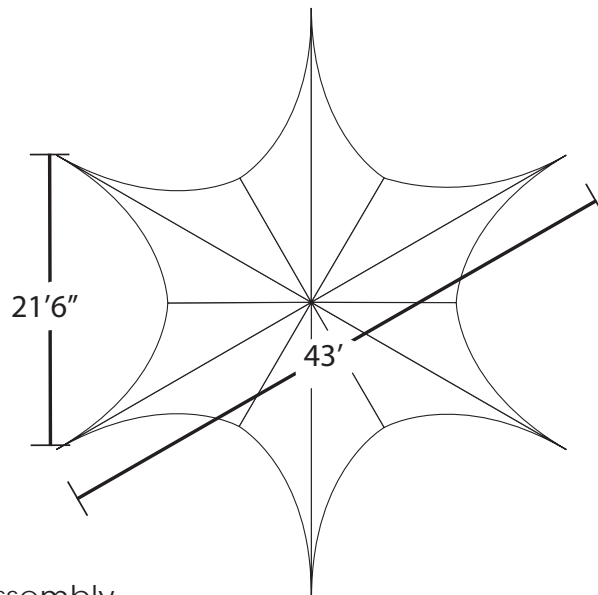


Seating with 6' & 8' Table
(suggested capacity - 44)

Heights



Widths



Package Includes

Qty:	Item:
3	50.25" Aluminum Poles
1	50.25" Telescoping Pole with Crank Assembly
1	13.5" Aluminum Pole with Dome Cap
1	250 / 500 Denier Polyester Oxford Top
3	Carry Bag
6	Steel Spikes
1	Center Pole Plate
1	Measuring Cable
1	Stake Puller
1	Assist Bar

Shipping Weights & Sizes

Item:	Weight:	Shipping Box Size:
Poles	73 lbs	12" x 12" x 53"
Top	45 lbs	20" x 20" x 24"
Hardware	50 lbs	8" x 8" x 43"

Colors

White
Black
Red
Green
Yellow
Purple
Cream
Blue
Navy
Gray

* All measurements are approximate