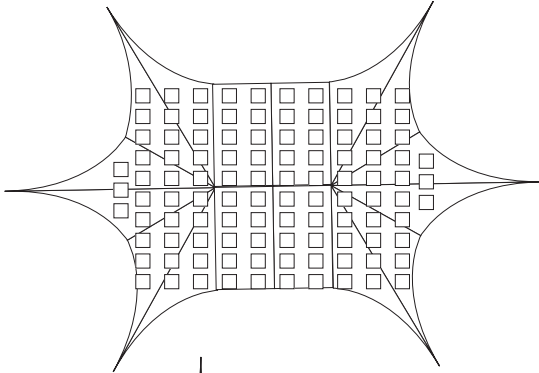


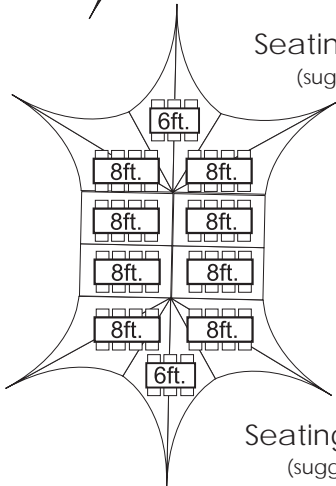


# Ergonomic Portable Advertising StarTwin 685 - Specifications

## Seating Charts

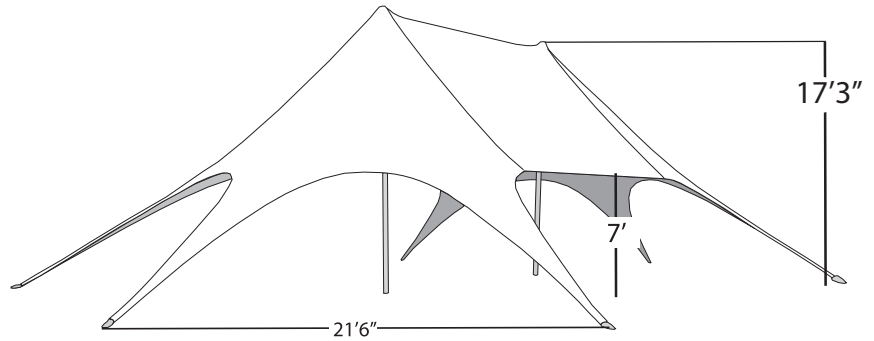


Seating with Chairs Only  
(suggested capacity - 106)

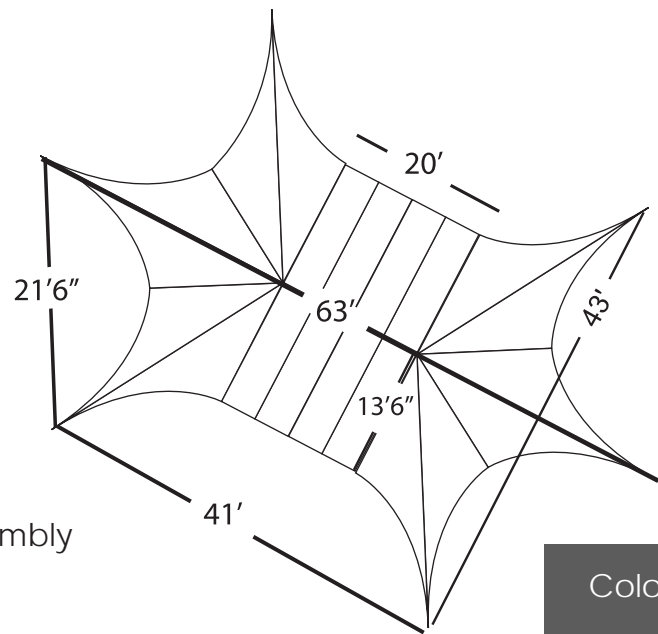


Seating with 6' & 8' Table  
(suggested capacity - 66)

## Heights



## Widths



## Package Includes

Qty:	Item:
6	50.25" Aluminum Poles
2	50.25" Telescoping Pole with Crank Assembly
2	13.5" Aluminum Pole with Dome Cap
1	250 / 500 Denier Polyester Oxford Top
5	Carry Bag
6	Steel Spikes
2	Center Pole Plate
2	Measuring Cable
1	Stake Puller
1	Assist Bar

## Shipping Weights & Sizes

Item:	Weight:	Shipping Box Size:
Poles	146 lbs	12" x 12" x 53"
Top	95 lbs	20" x 20" x 24"
Hardware	50 lbs	8" x 8" x 43"

## Colors

White  
Black  
Red  
Green  
Yellow  
Purple  
Cream  
Blue  
Navy  
Gray

\* All measurements are approximate